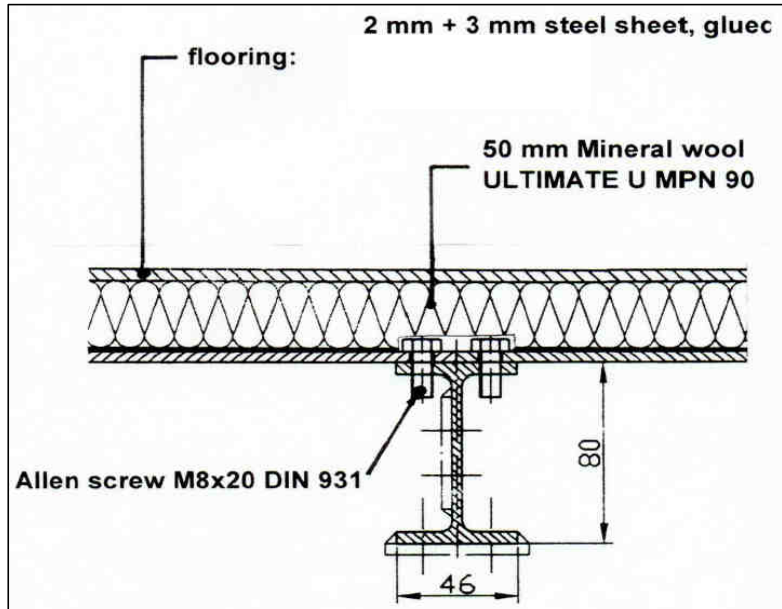


Tested Configuration	
Deck, Floating Floor	
Steel Plate 5mm	
Ultimate UMPN 90/50 on panel Density 90kg/m ³ , Thickness 50mm	
Flooring: Steel Plate 2mm+3mm glued	

Laboratory	G+H Schallschutz
Date	07/02/2005
Volume Reception Room	85m ³
Tested Surface	14,85m ²
T°Reception Room	-
Relative humidity Reception room	-



Frequency (Hz)	R(dB)
100	31,3
125	40,8
160	43,2
200	43,4
250	44,4
315	46,8
400	48,1
500	49,6
630	49,8
800	52,3
1000	54,4
1250	56,7
1600	59,6
2000	60,7
2500	60,5
3150	61
4000	62,1
5000	61,5

R _w	53 dB
R _A =R _w +C	52 dB

